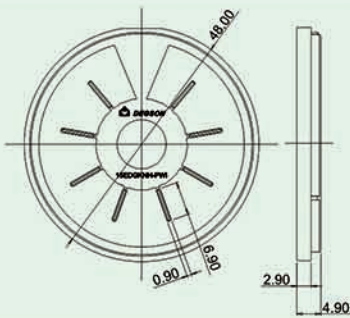
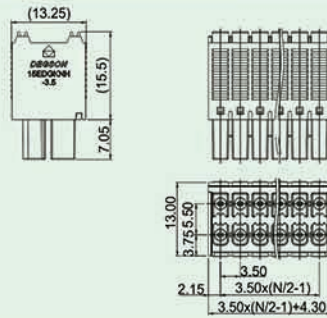


15EDGKNH/KNHM/KNHG-3.5

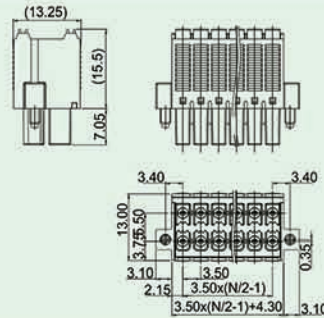
- 紧凑型结构设计, 双排触点, 高度仅为 13.25mm.
- PUSH-IN连接技术, 快速接线。
- 提供通用品、带法兰、带旋转挂扣等三种选择。
- 带防错插功能。
- 最大线径: 1.5mm²。
- Compact structure with double rows, the height is only 13.25mm.
- Fast wiring thanks to the PUSH-IN connection technology.
- 3 options are available: standard type, flange type and rotating lock type.
- Misplug-proof function available.
- Max. wire range: 1.5mm².



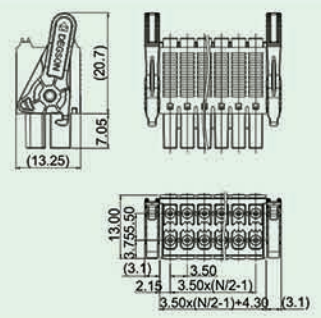
15EDGKNH-PWI-08P



15EDGKNH-3.5



15EDGKNHM-3.5



15EDGKNHG-3.5

技术参数 Technical Data

APPROVAL: CE US

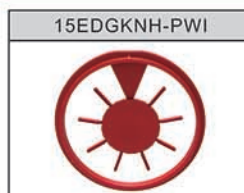
型号 Model	线径 Wire range	线数 Poles	IEC61984技术参数 (IEC61984 datasheet)				UL技术参数 (UL datasheet)			
			电压(V)	Rated voltage	电流(A)	Rated current	电压(V)	Rated voltage	电流(A)	Rated current
15EDGKNH-3.5	0.2-1.5mm ² /24-16AWG	04-48P	250		9.5		150		8	

应用行业 Application

工业自动化、仪器仪表、电梯、安防、电源等行业。
Industrial automation, instrument, elevator, security, power supply etc.



附件 Accessory



产品包装方式 Packing

Product model	Pcs./Pkt.
15EDGKNH-3.5-04P	50
15EDGKNH-3.5-06P	50
15EDGKNH-3.5-08P	50
15EDGKNH-3.5-10P	50
15EDGKNH-3.5-12P	50
15EDGKNH-3.5-14P	50

Product model	Pcs./Pkt.
15EDGKNH-3.5-16P	50
15EDGKNH-3.5-18P	50
15EDGKNH-3.5-20P	50
15EDGKNH-3.5-22P	50
15EDGKNH-3.5-24P	50

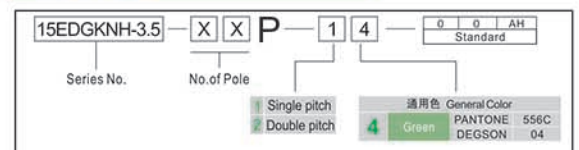
产品匹配 Counterparts

	15EDGRHC/IVHC-THR-3.5	15EDGRHCM/VHCM-THR-3.5
15EDGKNH-3.5	•	
15EDGKNHM-3.5		•
15EDGKNHG-3.5		•

型号对照 Cross Reference

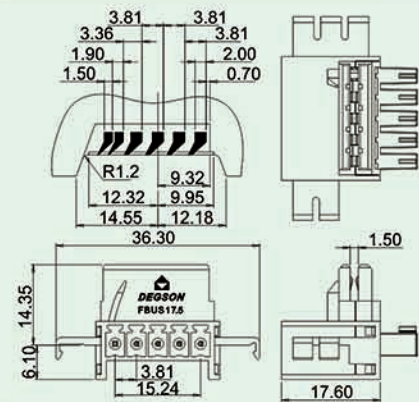
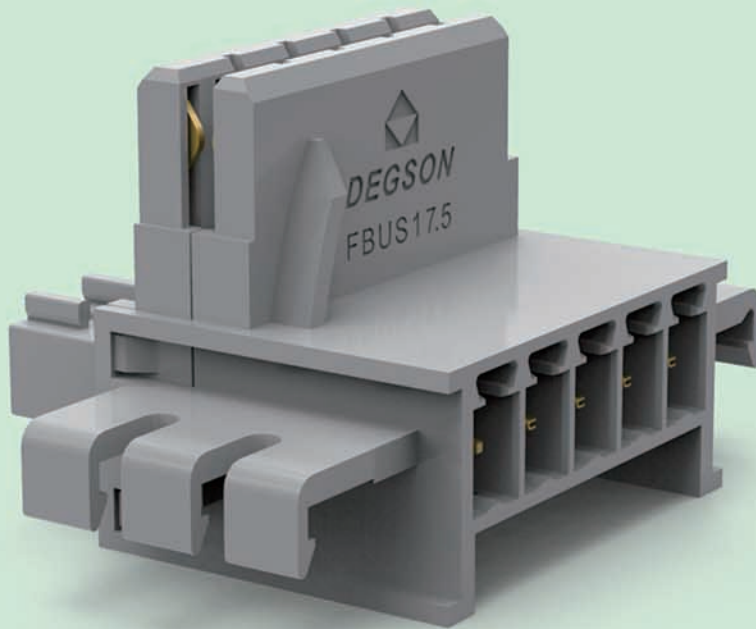
DEGSON	同行1/ Competitor1	同行2/ Competitor2
15EDGKNH-3.5	DFMC 1,5/X-ST-3,5	-

产品订货 How to order



FBUS17.5...11A

- 在00A的基础上新增左边位输入与输出断开拆分成2个触点。
- The left first pin divides to 2 contacts from one base on the 00AH standard version.



FBUS17.5-05P

技术参数 Technical Data

APPROVAL: CE

型号 Model	线径 Wire range	线数 Poles	IEC61984技术参数 (IEC61984 datasheet)		UL1059技术参数 (UL1059 datasheet)	
			电压(V) Rated voltage	电流(A) Rated current	电压(V) Rated voltage	电流(A) Rated current
FBUS17.5...11A	-	05P	125	5	150	5

应用行业 Application

工业自动化、仪器仪表等行业。
 Industrial automation, instrument etc.



产品包装方式 Packing

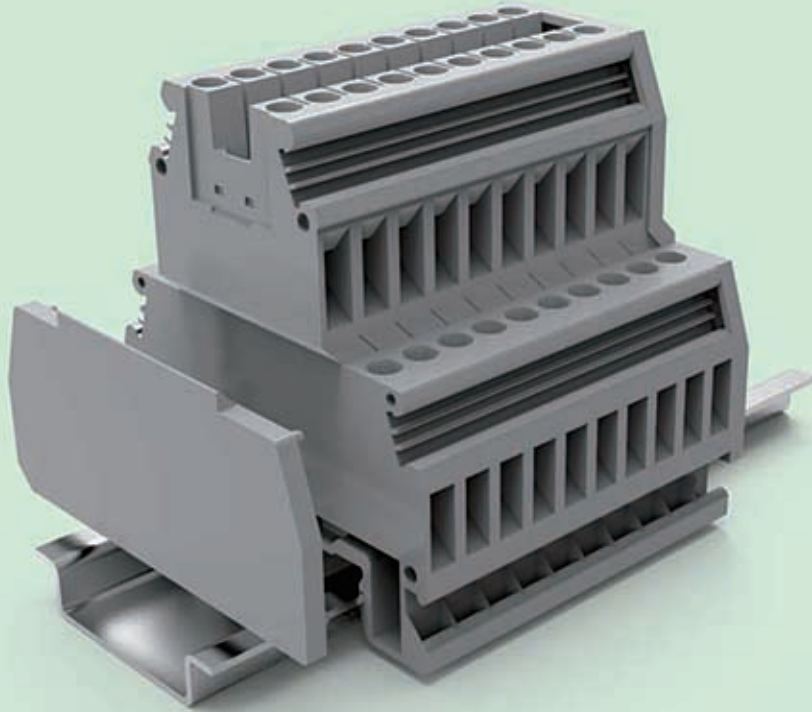
Product model	Pcs./Pkt.
FBUS17.5...11A	50

型号对照 Cross Reference

DEGSON	同行1/ Competitor1	同行2/ Competitor2
FBUS17.5...11A	-	-

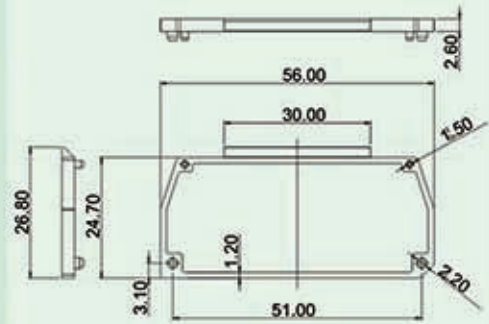
产品订货 How to order

FBUS17.5	-	0	5	P	-	1	1	-	1	1	AH
Series No.		No. of Pole				Pitch			通用色 General Color		
						1	2		1	Grey	PANTONE 430C DEGSON 01



DP-PCKK2.5

- PCKK2.5产品的补偿板。
- Compensation plate of PCKK2.5.



DP-PCKK2.5

技术参数 Technical Data

APPROVAL: CE

型号 Model	线径 Wire range	线数 Poles	IEC60947技术参数 (IEC60947 datasheet)		UL1059技术参数 (UL1059 datasheet)	
			电压(V) Rated voltage	电流(A) Rated current	电压(V) Rated voltage	电流(A) Rated current
DP-PCKK2.5	-	01P	-	-	-	-

应用行业 Application

工业自动化、电梯等行业。
 Industrial automation, elevator etc.



产品包装方式 Packing

Product model	Pcs./Pkt.
DP-PCKK2.5-01P	100

型号对照 Cross Reference

DEGSON	同行1/ Competitor1	同行2/ Competitor2
DP-PCKK2.5	DP-UKK3/5	-

产品订货 How to order

DP-PCKK2.5	-	0	1	P	-	1	1	-	0	0	Alt
Series No.		No. of Pole				Single pitch Double pitch			通用色 General Color PANTONE 430C Grey DEGSON 01		