

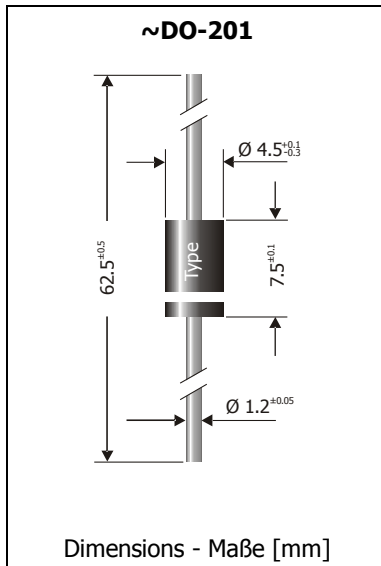
MUR420L ... MUR460L

Superfast Efficient Rectifier Diodes
Superschnelle Gleichrichter für hohen Wirkungsgrad

$I_{FAV} = 4 \text{ A}$
 $V_{F1} < 0.89 \text{ V}$
 $T_{jmax} = 150^\circ\text{C}$

$V_{RRM} = 200...600 \text{ V}$
 $I_{FSM} = 110/125 \text{ A}$
 $t_{tr} < 25...50\text{ns}$

Version 2016-04-21



Typical Applications

Rectification of higher frequencies,
High efficient switching stages
Commercial grade ¹⁾

Features

Budget version of
MUR420..460 series
Compliant to RoHS, REACH,
Conflict Minerals ¹⁾

Mechanical Data ¹⁾

Taped in ammo pack 1700
Weight approx. 1.0 g
Case material UL 94V-0
Solder & assembly conditions 260°C/10s
MSL N/A



Typische Anwendungen

Gleichrichtung hoher Frequenzen
Wandlerstufen mit hohem Wirkungsgrad
Standardausführung ¹⁾

Besonderheiten

Budget-Version der
MUR420...MUR460 Reihe
Konform zu RoHS, REACH,
Konfliktmineralien ¹⁾

Mechanische Daten ¹⁾

Gegurtet in Ammo-Pack
Gewicht ca.
Gehäusematerial
Löt- und Einbaubedingungen

Maximum ratings ²⁾

Grenzwerte ²⁾

Type Typ	Repetitive peak reverse voltage Periodische Spitzensperrspannung V_{RRM} [V]	Surge peak reverse voltage Stoßspitzensperrspannung V_{RSM} [V]
MUR420L	200	200
MUR440L	400	400
MUR460L	600	600

Max. average forward rectified current, R-load Dauergrenzstrom in Einwegschaltung mit R-Last	$T_A = 50^\circ\text{C}$	I_{FAV}	4 A ³⁾
Repetitive peak forward current Periodischer Spitzenstrom	$f > 15 \text{ Hz}$	I_{FRM}	25 A ³⁾
Peak forward surge current, 50/60 Hz half sine-wave Stoßstrom für eine 50/60 Hz Sinus-Halbwellen	$T_A = 25^\circ\text{C}$	I_{FSM}	110/125 A
Rating for fusing Grenzlastintegral, $t < 10 \text{ ms}$	$T_A = 25^\circ\text{C}$	i^2t	78 A ² s
Junction/Storage temperature – Sperrschicht-/Lagerungstemperatur		$T_{j/s}$	-50...+150°C

Characteristics

Kennwerte

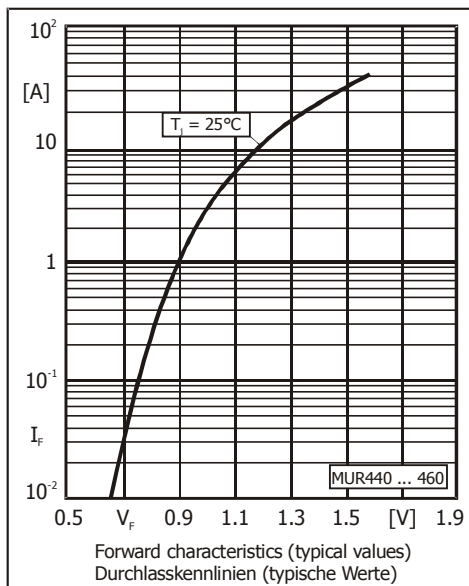
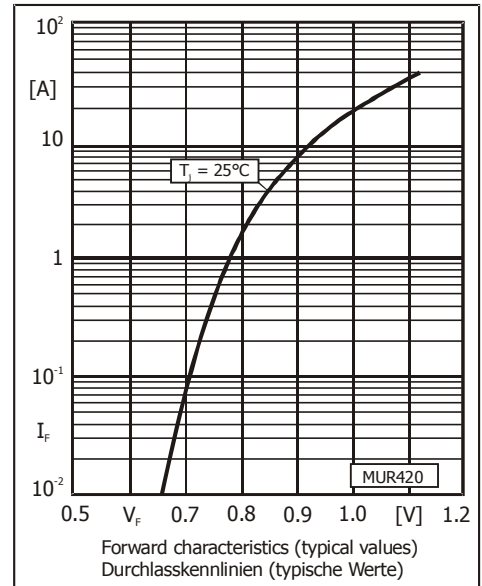
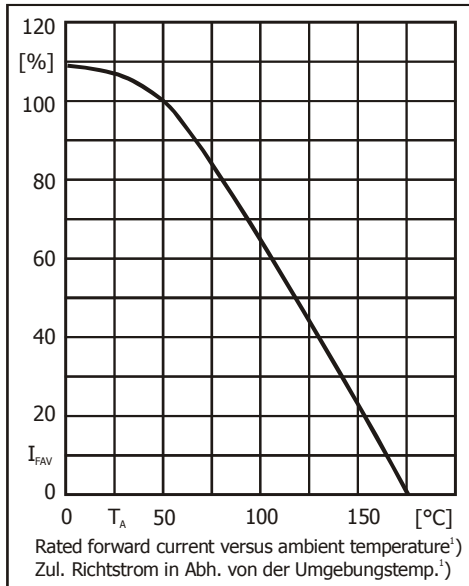
Leakage current Sperrstrom	$V_R = V_{RRM}$	$T_j = 25^\circ\text{C}$	I_R	< 10 μA
		$T_j = 100^\circ\text{C}$	I_R	< 100 μA
Thermal resistance junction to ambient – Wärmewiderstand Sperrschicht – Umgebung			R_{thA}	< 20 K/W ³⁾

- Please note the [detailed information on our website](#) or at the beginning of the data book
Bitte beachten Sie die [detaillierten Hinweise auf unserer Internetseite](#) bzw. am Anfang des Datenbuches
- $T_j = 25^\circ\text{C}$ unless otherwise specified – $T_j = 25^\circ\text{C}$ wenn nicht anders angegeben
- Valid, if leads are kept at ambient temperature at a distance of 10 mm from case
Gültig, wenn die Anschlussdrähte in 10 mm Abstand vom Gehäuse auf Umgebungstemperatur gehalten werden

Characteristics

Type Typ	Reverse recovery time Sperrverzugszeit	Forward voltage Durchlass-Spannung
	t_{rr} [ns] ¹⁾	V_F [V]
MUR420L	< 25	< 0.89
MUR440L ... MUR460L	< 50	< 1.28

Junction capacitance – Sperrschichtkapazität	$V_R = 4\text{ V}$	C_j	typ. 95 pF
--	--------------------	-------	------------



Disclaimer: See data book page 2 or [website](#)
Haftungsausschluss: Siehe Datenbuch Seite 2 oder [Internet](#)

1 $I_F = 0.5\text{ A}$ through/über $I_R = 1\text{ A}$ to/auf $I_R = 0.25\text{ A}$

IBS ELECTRONICS

AUTHORIZED DISTRIBUTOR

IBS Electronics was established in 1980 in Southern California. IBS Electronics is an ISO 9001: 2008 certified authorized franchise distributor and a global leader in the delivery of innovative electronic components and logistic solutions. IBS Electronics operates a global Procurement Network that enables us to provide our services and products seamlessly worldwide. This network consists of a robust set of systems, skills, and tools that we use to efficiently manage production and services, regardless of geography, cost point, technology or end-market demand.

Low-Cost Source

IBS Electronics is recognized as a low-cost source of electronic procurement services (EPS) and products, without sacrificing quality, technology or on-time delivery.

IBS ELECTRONICS, INC

3506-D, Lake Center Drive

Santa Ana, CA 92704

Contact Us:

sales@ibselectronics.com

Tel: 1-800-717-6475

Fax: 1-800-824-7668

www.ibselectronics.com

IBS Electronics is an **Authorized Franchise Distributor** of Diotec Semiconductor products. For more information please contact us. <http://www.ibselectronics.com/active/diotec-semiconductor/>